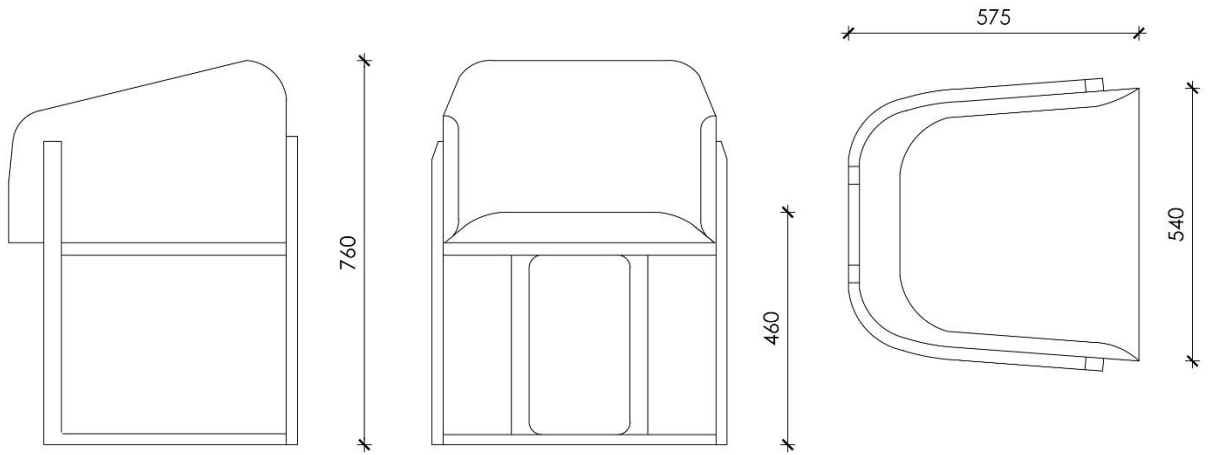


STUDIΛ



BARNETT designed by Adam Court 2015

Product

Dining chair & occasional chair

Dimensions

760 x 540 x 575 – seat height 460

Weight

NA kg

Materials

French oak, dual density foam, upholstered seat and back

Finishes

Chalk oak, Charcoal oak

Other

Pricing upon request for alternative timber finishes

