

TRAFFIC Broad designed by Adam Court 2015

Product

Lighting | Table

Dimensions

610 H x 270 Diameter

Weight

N/A kg

Materials

Stainless steel base, Powdercoated metal shade.

Finishes

Polished stainless steel base.

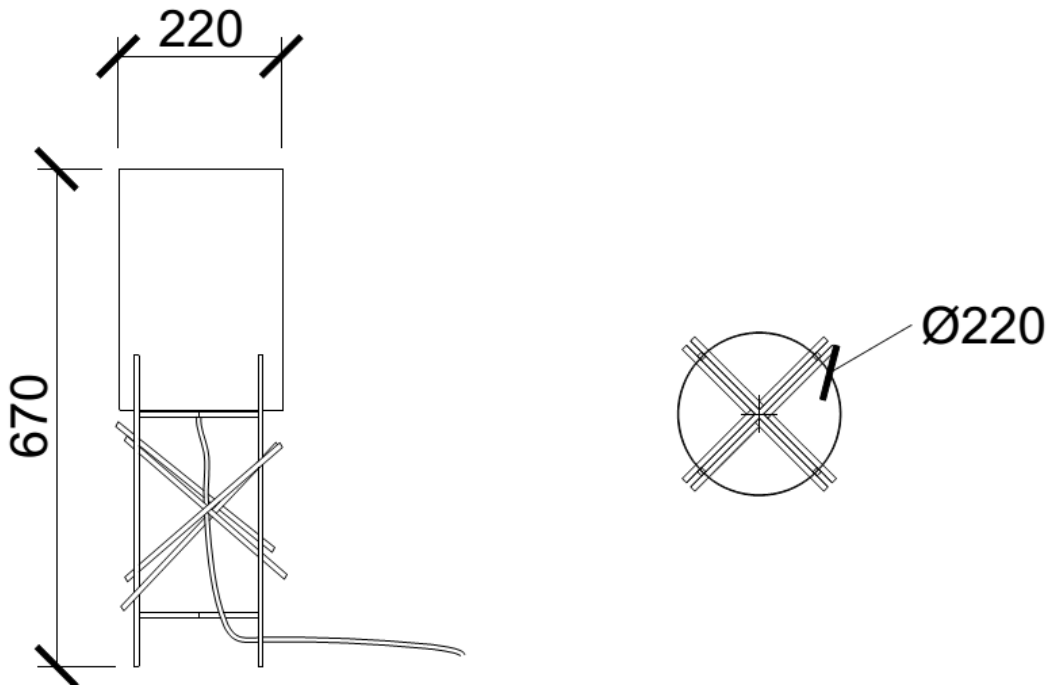
Powdercoated metal shade in Black / White

Other

Pricing upon request for alternative timber & marble finishes



STUDIOA



TRAFFIC Tall designed by Adam Court 2015

Product

Lighting | Table

Dimensions

670 H x 220 Diameter

Weight

N/A kg

Materials

Stainless steel base, Powdercoated metal shade.

Finishes

Polished stainless steel base.

Powdercoated metal shade in Black / White

Other

Pricing upon request for alternative timber & marble finishes

